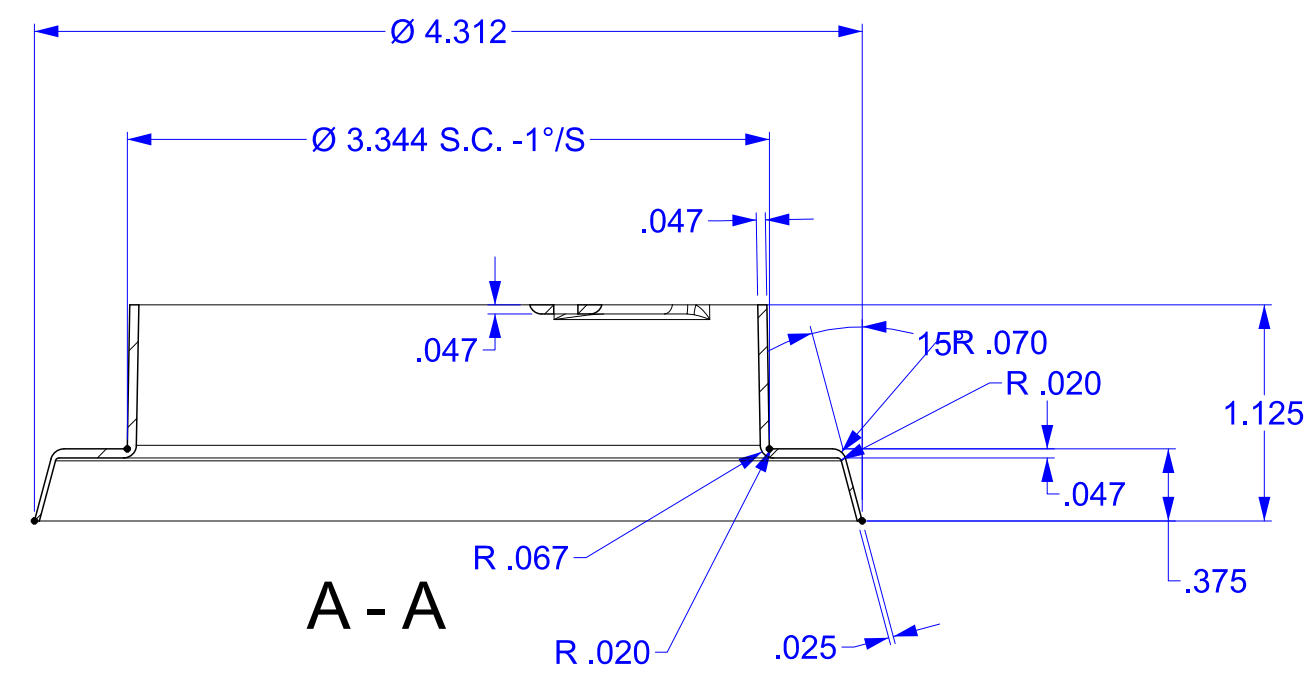
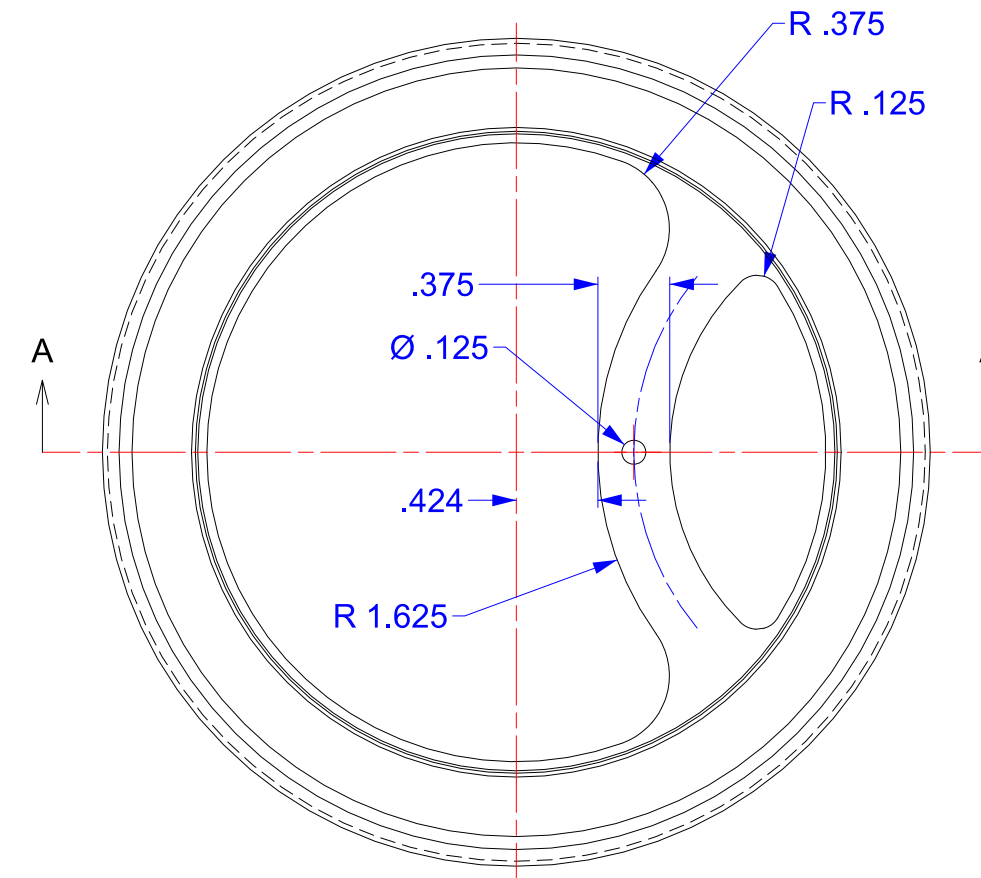
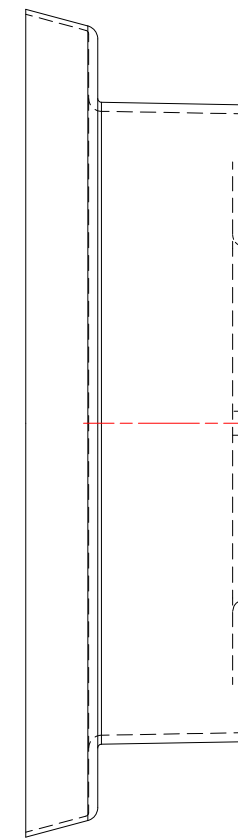
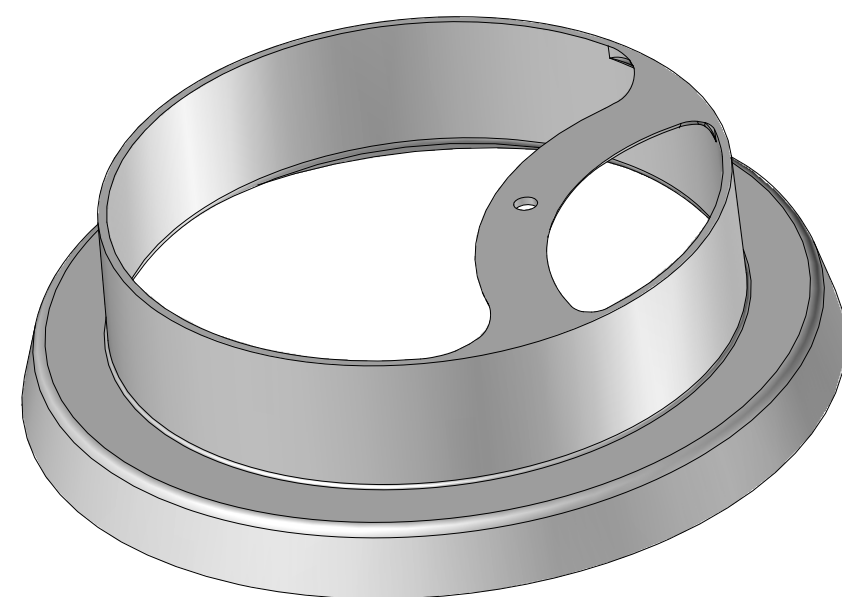


REV	DESCRIPTION	DATE
A	INITIAL DESIGN	08/11/09
-	-	-
-	-	-



NOTE:
MATERIAL = POLYPROPYLENE, NATURAL



AMT AMERICAN MOLDING TECHNOLOGIES, INC 2350 East Lunt Ave Elk Grove Village, IL 60007 ph 847.437.6900 fax 847.437.6999		PROJECT RING, 4in-TYPE I	
SCALE FULL		DRAWING DESCRIPTION PART DETAILS	
DATE 08/11/09	SHEET NO. 1 of 1	DRAWING NO. 1016	REVISION A