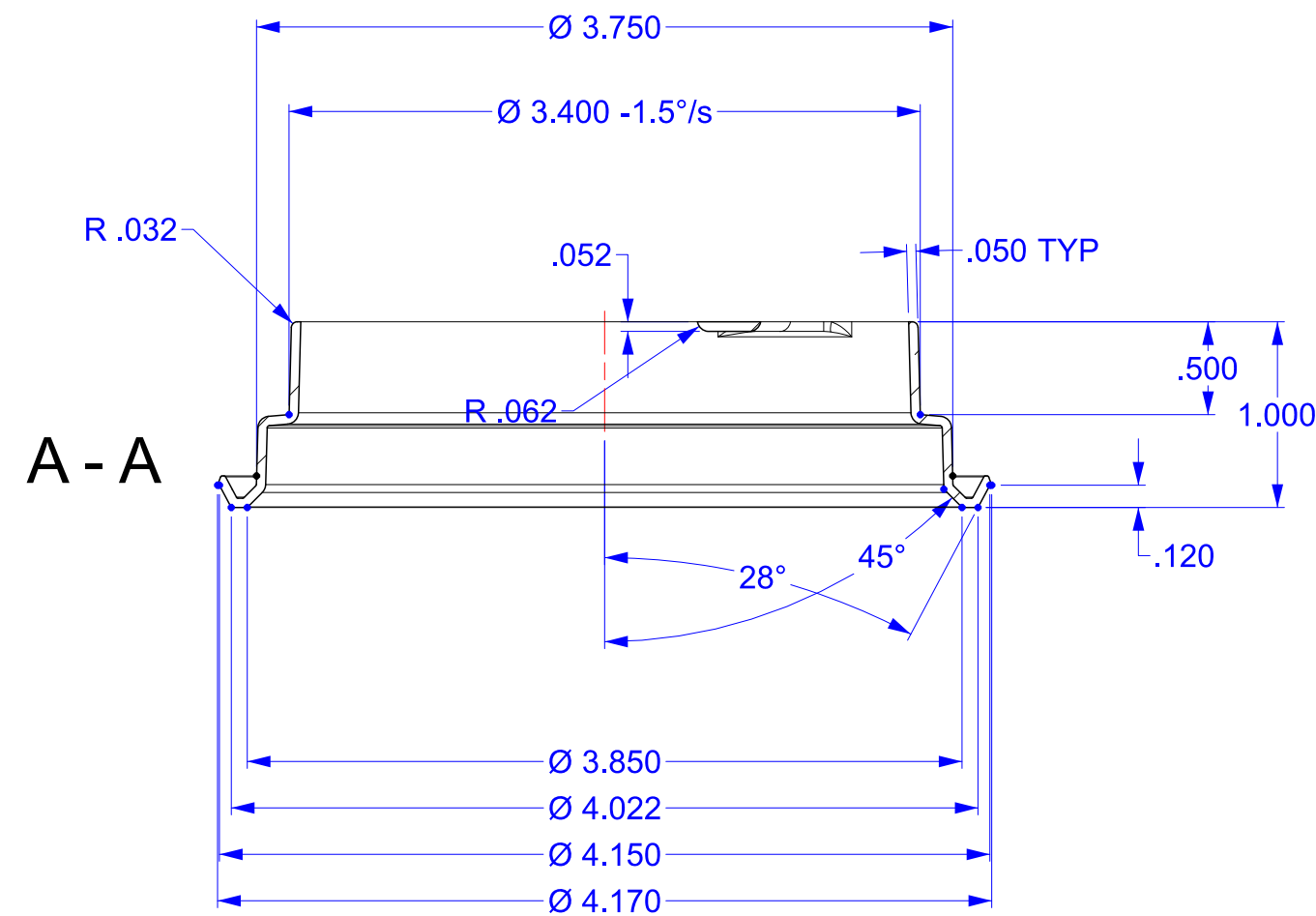
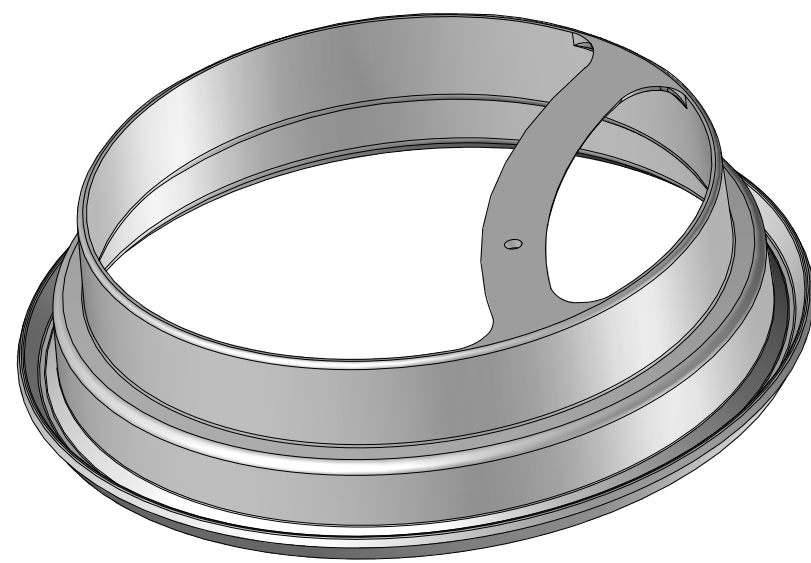
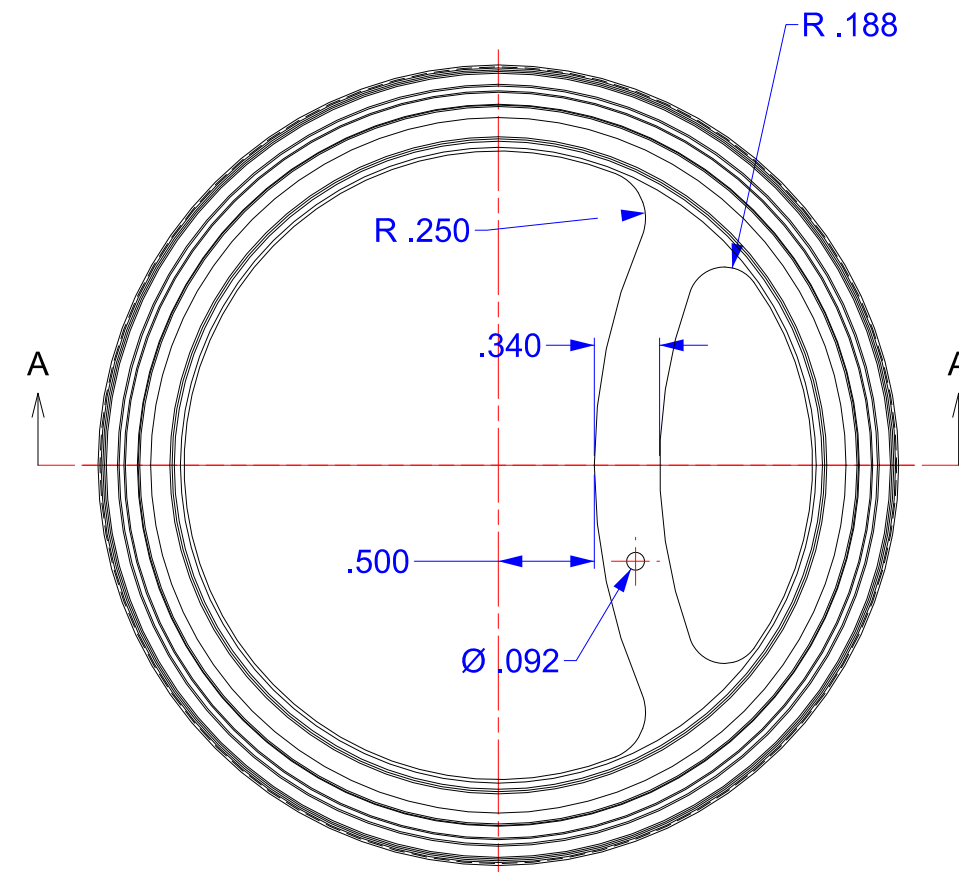
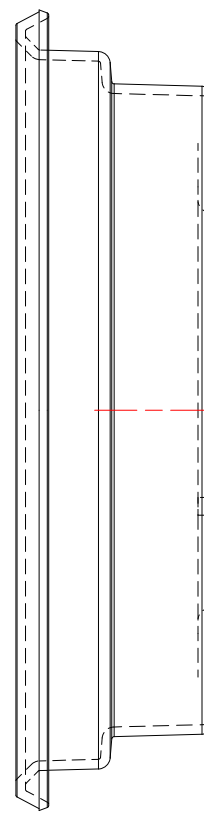


REV	DESCRIPTION	DATE
A	INITIAL DESIGN	08/30/09
-	-	-
-	-	-



NOTE:  
MATERIAL = POLYPROPYLENE, NATURAL

<b>AMT</b> AMERICAN MOLDING TECHNOLOGIES, INC 2350 East Lunt Ave Elk Grove Village, IL 60007 ph 847.437.6900 fax 847.437.6999		PROJECT <b>RING, 4in-TYPE 2</b>	
SCALE <b>FULL</b>		DATE <b>08/30/09</b>	
SHEET NO. <b>1 of</b>		DRAWING NO. <b>1017</b>	
		REVISION <b>A</b>	