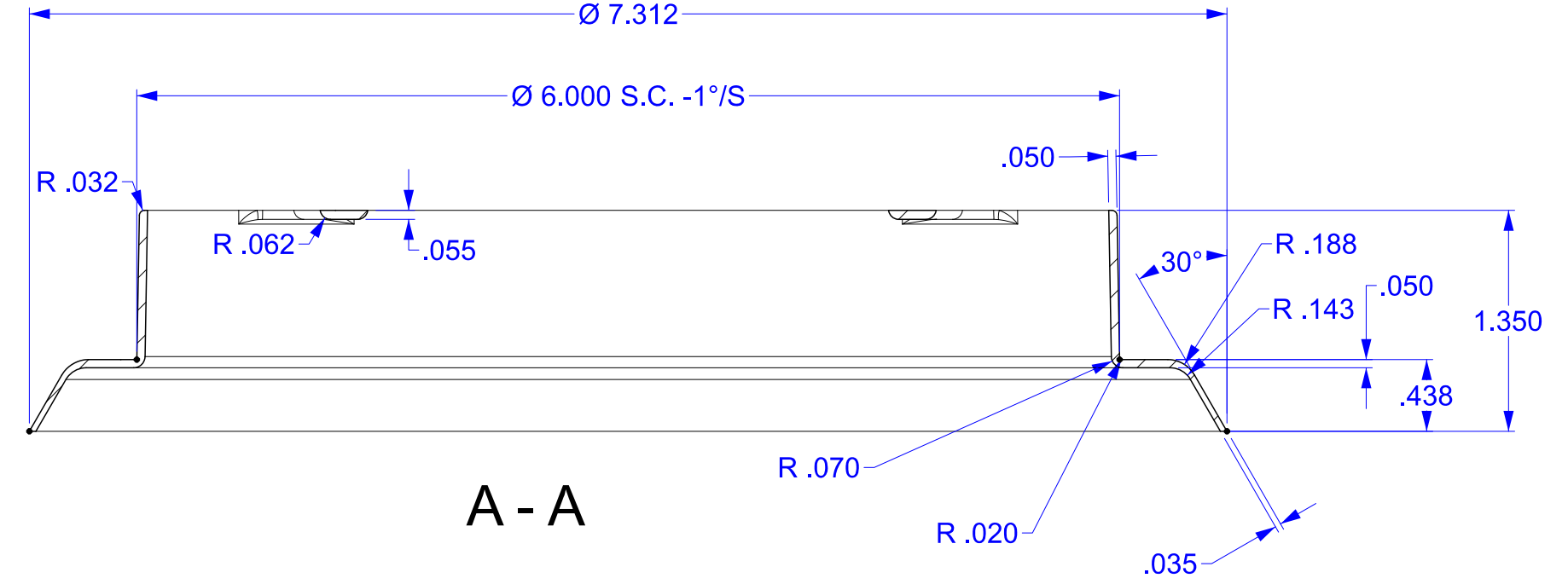
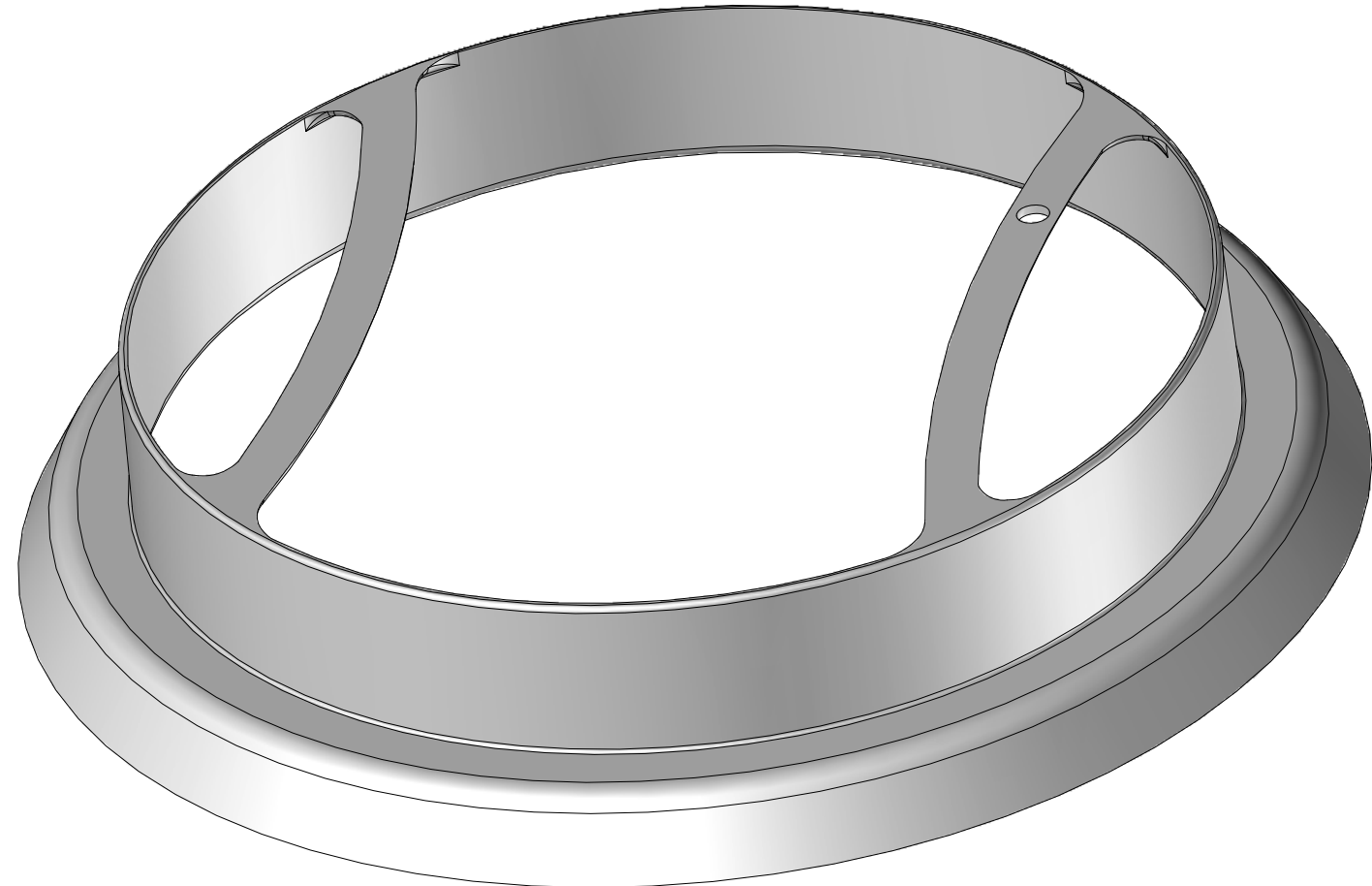
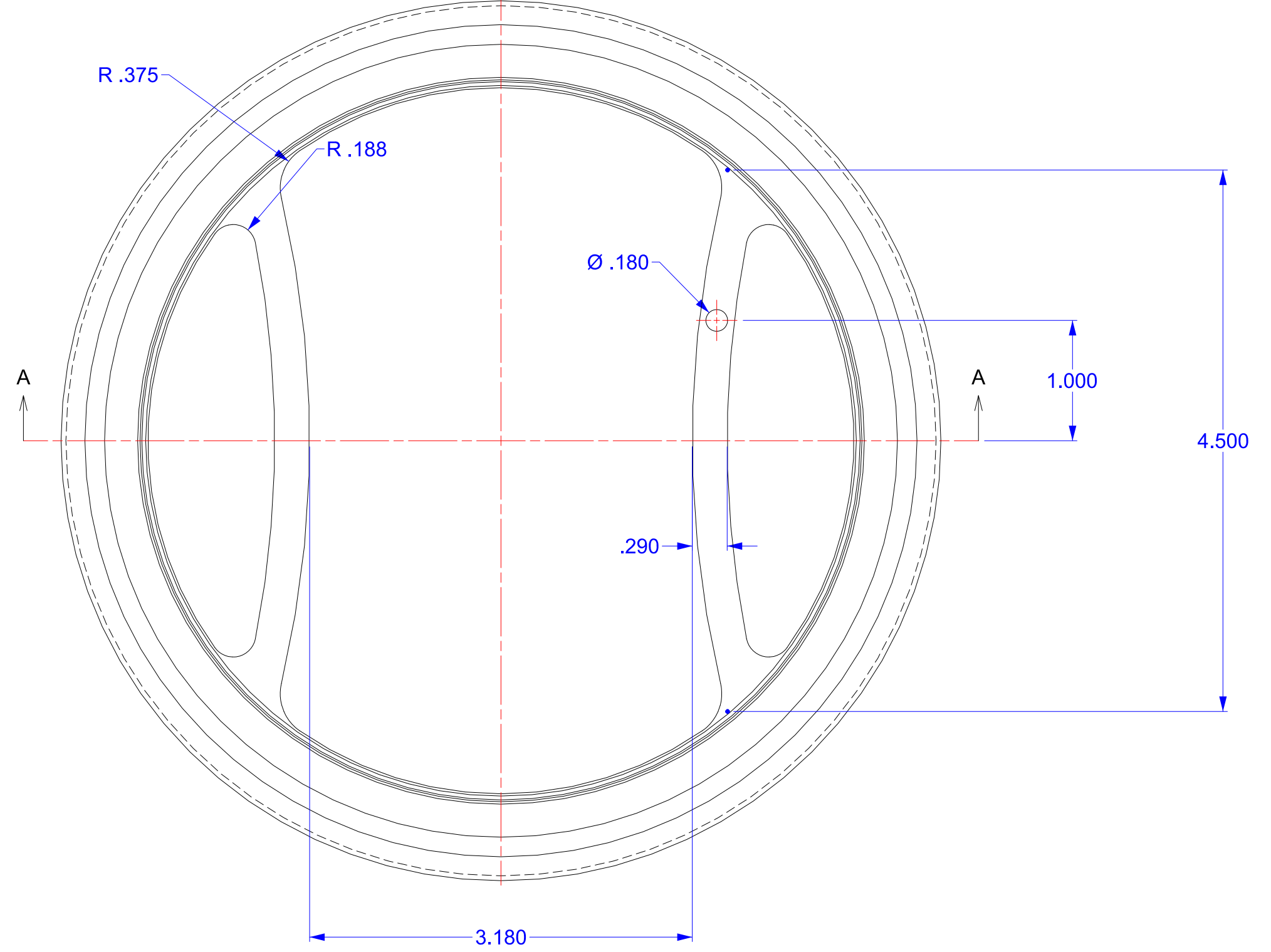
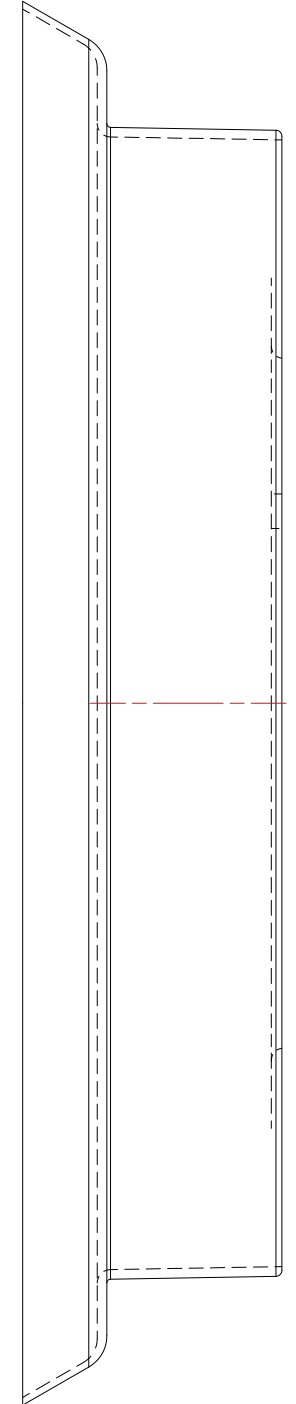


REV	DESCRIPTION	DATE
A	INITIAL DESIGN	08/11/09
-	-	-
-	-	-



NOTE:  
MATERIAL = POLYPROPYLENE, NATURAL

<b>AMT</b> AMERICAN MOLDING TECHNOLOGIES, INC. 2350 East Lunt Ave Elk Grove Village, IL 60007 ph 847.437.6900 fax 847.437.6999		PROJECT <b>RING, 7in-TYPE I</b>	
SCALE <b>FULL</b>		DRAWING DESCRIPTION <b>PART DETAILS</b>	
DATE <b>08/11/09</b>	SHEET NO. <b>1 of 1</b>	DRAWING NO. <b>1012</b>	REVISION <b>A</b>