

6

5

4

3

2

1

D

D

C

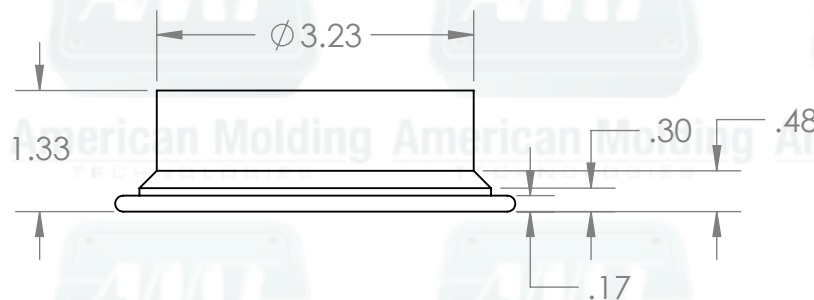
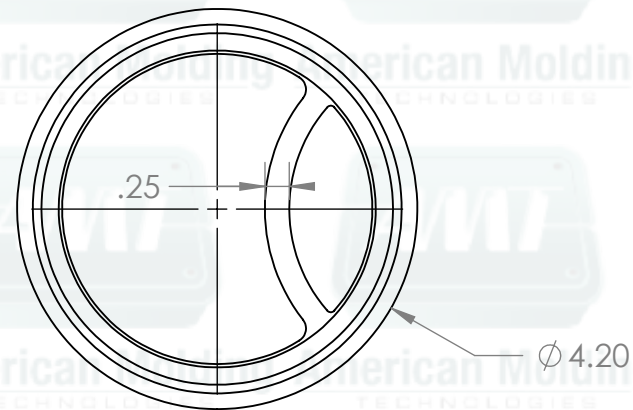
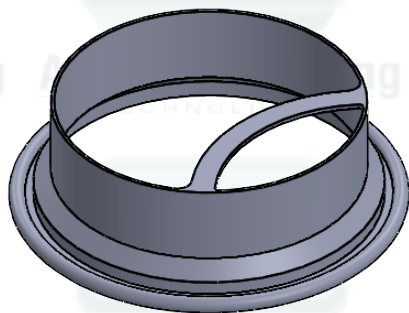
C

B

B

A

A



UNLESS OTHERWISE SPECIFIED:
DIMENSIONS ARE IN MILLIMETERS
SURFACE FINISH:
TOLERANCES:
LINEAR:
ANGULAR:

FINISH:

DEBURR AND
BREAK SHARP
EDGES

DO NOT SCALE DRAWING

REVISION

FOR REFERENCE ONLY

	NAME	SIGNATURE	DATE			
DRAWN						
CHK'D						
APPVD						
MFG						
Q.A						
				MATERIAL:		
				WEIGHT:		

TITLE:



DWG NO.

60-62034

A4

SCALE:1:2

SHEET 1 OF 1

6

5

4

3

2

1