

6

5

4

3

2

1

D

D

C

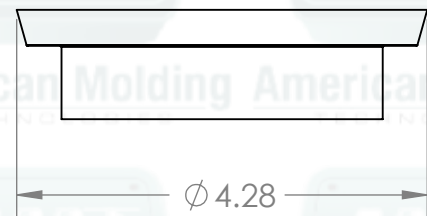
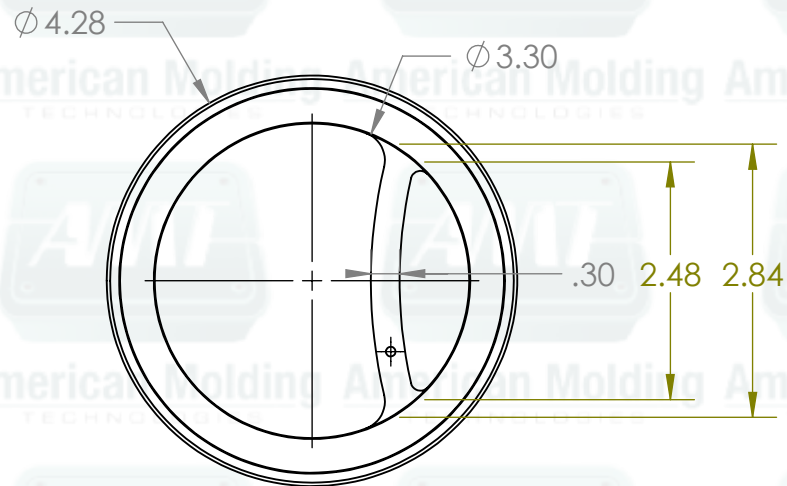
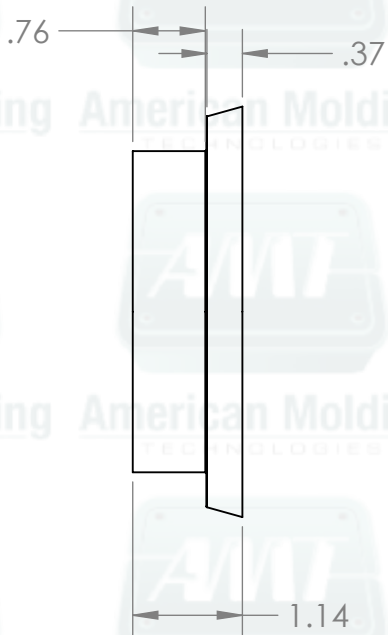
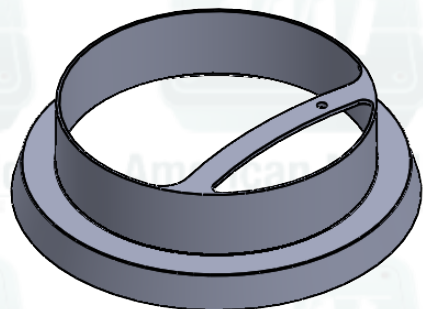
C

B

B

A

A



UNLESS OTHERWISE SPECIFIED:
 DIMENSIONS ARE IN MILLIMETERS
 SURFACE FINISH:
 TOLERANCES:
 LINEAR:
 ANGULAR:

FINISH:

DEBURR AND
BREAK SHARP
EDGES

DO NOT SCALE DRAWING

REVISION

FOR REFERENCE ONLY

	NAME	SIGNATURE	DATE		
DRAWN					
CHK'D					
APPVD					
MFG					
Q.A					

TITLE:



MATERIAL:

DWG NO.

60-62044

A4

WEIGHT:

SCALE:1:2

SHEET 1 OF 1

6

5

4

3

2

1