

6

5

4

3

2

1

D

D

C

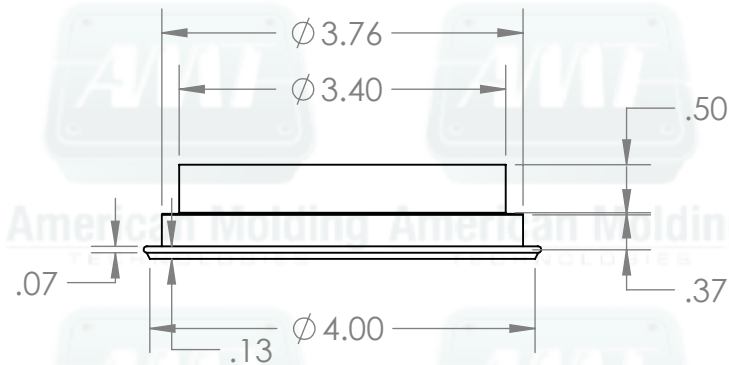
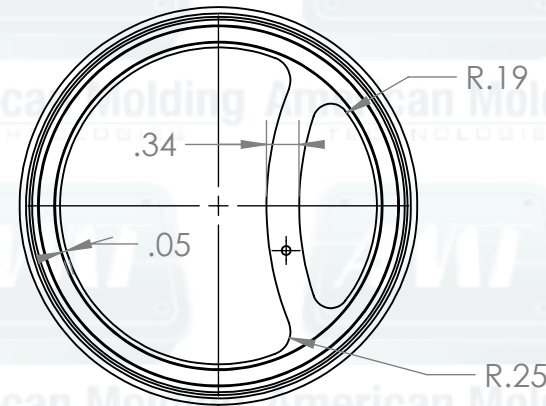
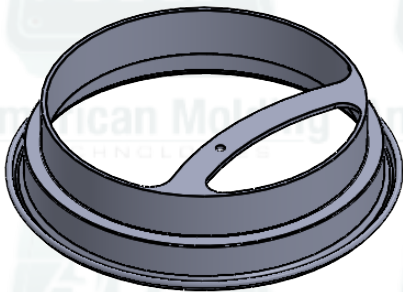
C


B

B

A

A



UNLESS OTHERWISE SPECIFIED: DIMENSIONS ARE IN MILLIMETERS SURFACE FINISH: TOLERANCES: LINEAR: ANGULAR:			FINISH:		DEBURR AND BREAK SHARP EDGES		DO NOT SCALE DRAWING		REVISION		
							FOR REFERENCE ONLY				
DRAWN			SIGNATURE		DATE		TITLE:				
CHK'D											
APPVD											
MFG							MATERIAL:				
Q.A							DWG NO.				
							60-62064				
							SCALE:1:2				
							SHEET 1 OF 1				
							A4				

6

5

4

3

2

1